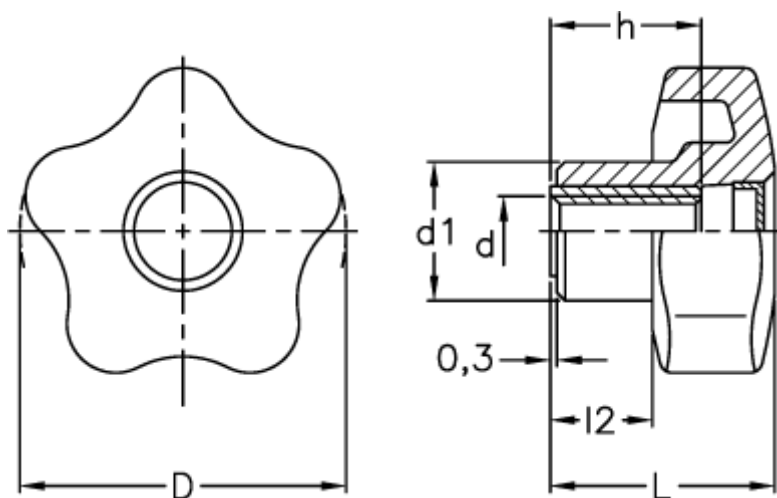


# Data Sheet



Article number: 2302150534  
Description: E+G Lobe knob  
VCT.25 AE-V0 B-M5

## Measures



|      |      |
|------|------|
| D    | = 25 |
| d1   | = 13 |
| d 6H | = M5 |
| h    | = 10 |
| L    | = 19 |
| l2   | = 8  |